

DIES

SURELOK II

#30 insert (yellow 0.010 + 0.022) 405061

#40 insert (blue 0.022 + 0.040) 405063

#50 insert (red 0.040 + 0.075) 405065

Die blade 403471

Elastomer 404500

SURELOK III

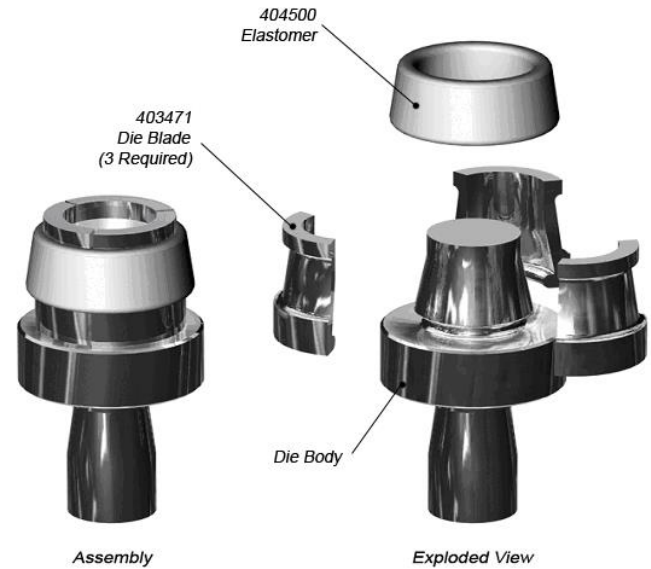
#30 insert (yellow 0.010 + 0.030) 403947

#40 insert (blue 0.025 + 0.040) 403961

#50 insert (red 0.035 + 0.080) 403977

Die blade 403471

Elastomer 404500



LETTER LOK

#30 insert (yellow max total 0.075" AL) MP70000

#40 insert (blue max total 0.125" AL) MP70001

#50 insert (red max total 0.200" AL) MP70002

Die blade set (includes 3 die blades, one elastomer) MP70003A

PUNCHES

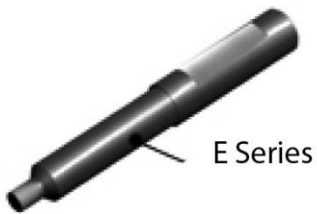
SURELOK II

E Series Punch

402992 (optimized for heavier gauge)

423294 (standard)

402798 (optimized for lighter gauge)



P Series Punch

402479 (optimized for heavier gauge)

400265 (standard)

402478 (optimized for lighter gauge)



SURELOK III

004898 (optimized for heavier gauge)

004897 (standard)

004639 (optimized for lighter gauge)



Reverse round punch

005148 (optimized for heavier gauge)

005147 (standard)

005146 (optimized for lighter gauge)



004866 Rectangular punch



Reverse rectangle punch

005338

