

Little Lok 1200

With its ease of use the Little Lok 1200 can make short work of your channel letter fastening needs.

- 12" throat
- Fast cycle times
- Adjustable table accommodates up to 6" high letter
- UL recognized tooling*
- Simple tool adjustment
- Air powered

Designed and built by the company that sets the standard for the channel letter industry

*Norlok tooling components MP70001, MP70002, & MP70010. This is standard in all Letter Lok 1200 machines

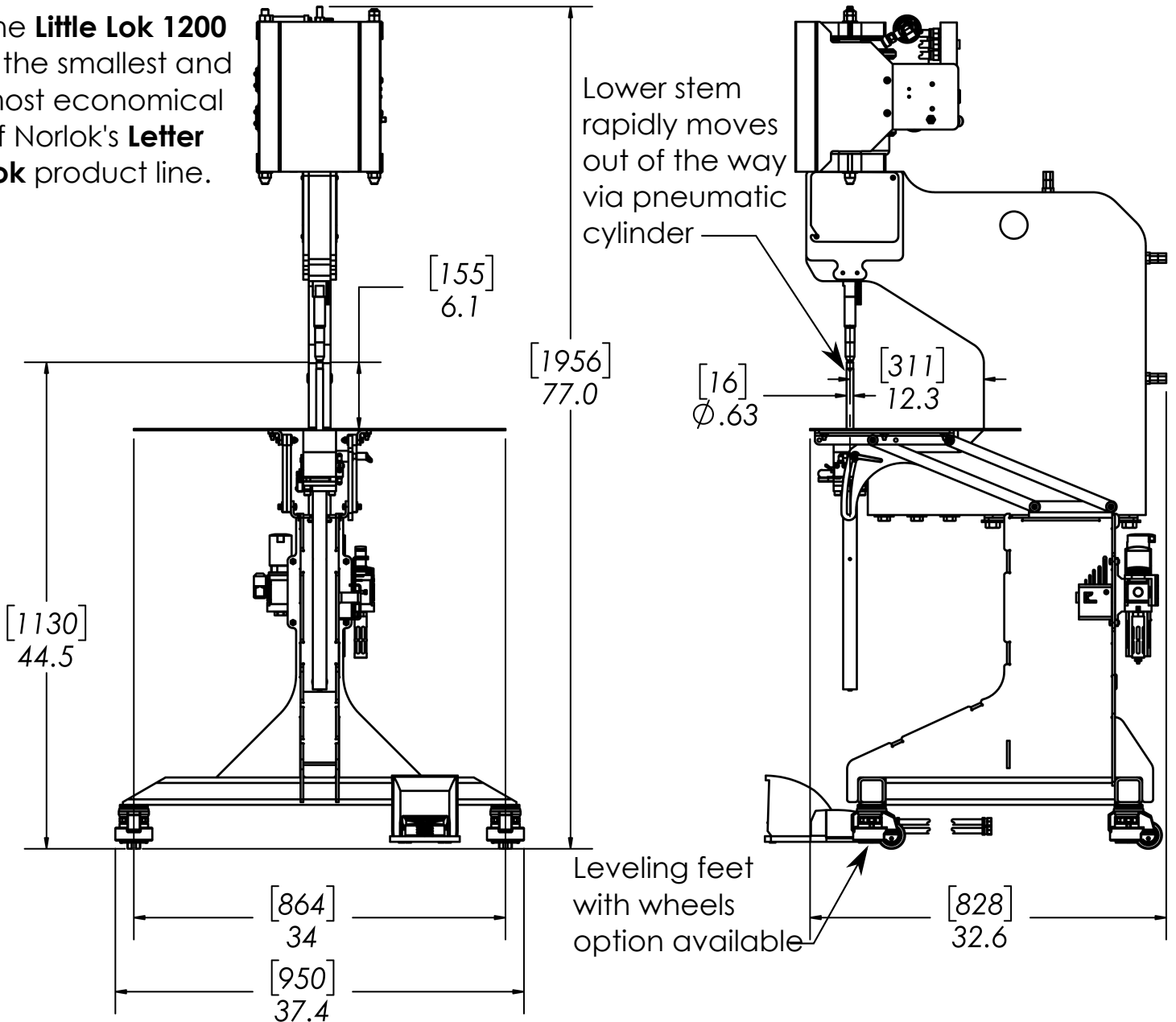


INNOVATIONS IN ENGINEERING

Little Lok 1200



The **Little Lok 1200** is the smallest and most economical of Norlok's **Letter Lok** product line.



Stroke: 1/4" [6mm] operating
6" [150mm] low pressure opening

Table: 19" deep x 34" wide
[490 x 860 mm]

Throat: 12" [305mm]

Cycle Speed: 80 CPM

Max Letter Height: 6" [150mm]

Air Requirements: 70-100 psi [5-6.8 bar]
0.8 cu ft free air per cycle

| Material | Joined With | Net Max Thickness | Net Min Thickness |
|--------------------|-------------|-------------------|-------------------|
| Aluminum | Clinch/SPR | 0.160" / 4mm * | 0.048" / 2.00mm |
| TPO | SPR | Contact Norlok | |
| Galvanized Steel | Clinch/SPR | 0.120" / 3.8mm * | .030" / 0.50mm |
| Aluminum Composite | SPR | Contact Norlok | |

* Self Piercing Rivets (SPR) are sold by Norlok. SPR can join thicker material and produce stronger bonds compared to clinching