



Letter Lok 4000

Versatile design and unsurpassed features will reduce your channel letter fastening costs.

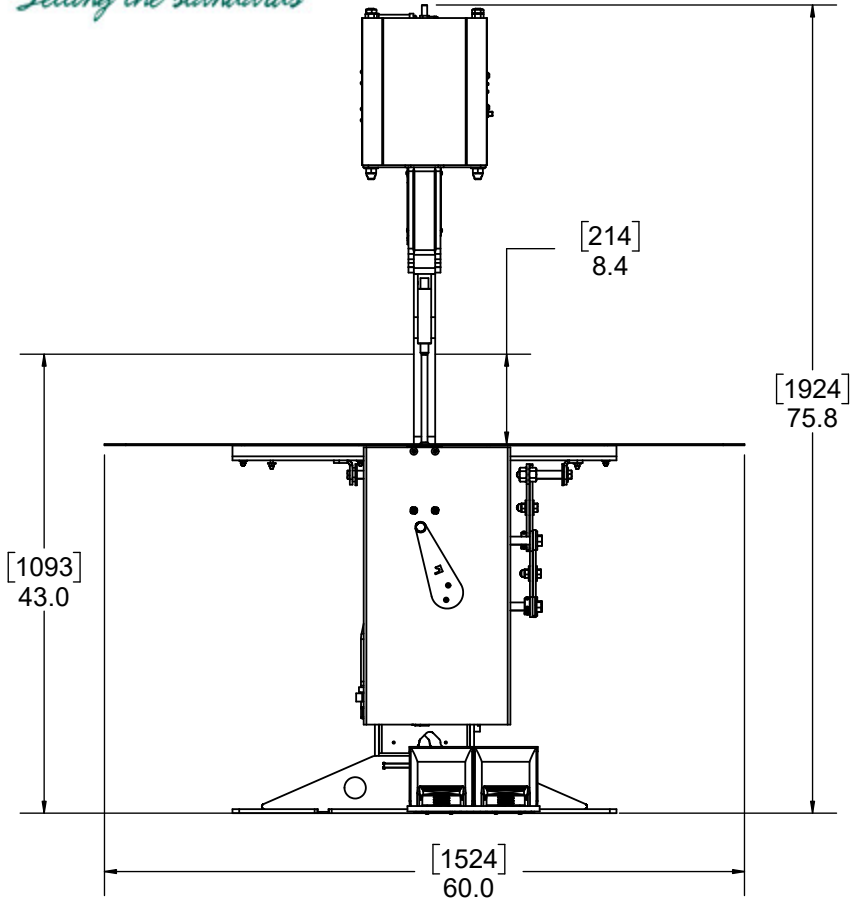
- 25" throat
- Fast cycle times
- Clinch up to 10" deep letters
- Large table 30" x 60"
- UL recognized tooling*
- Simple tool adjustment
- Air powered

When you combine all the features, benefits and quality, the Letter Lok 4000 sets the standard for the channel letter industry.

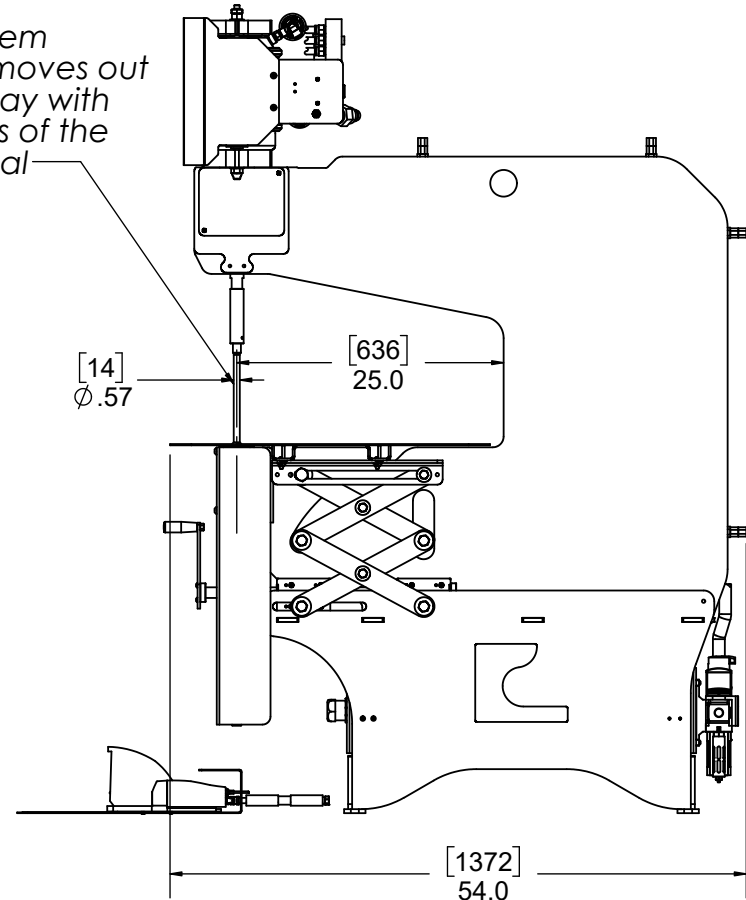
*Norlok tooling components MP70001, MP70002 & MP70010. This is standard in all Letter Lok 4000 machines

INNOVATIONS IN ENGINEERING

Setting the standards



Lower stem rapidly moves out of the way with the press of the footpedal



Stroke: 1/4" [6mm] operating
8" [200mm] low pressure opening

Throat: 25" [635mm]

Max Letter Height: 8" [200mm] (10" [254mm] option available)

Table: 30" deep x 60" wide [760 x 1520 mm]

Cycle Speed: 80 CPM

Air Requirements: 70-100psi [5-6.8 bar]
Approx 0.8 cu ft free air per cycle

Material	Joined With	Net Max Thickness	Net Min Thickness
Aluminum	Clinch/SPR	0.160" / 4mm *	0.048" / 2.00mm
TPO	SPR	Contact Norlok	
Galvanized Steel	Clinch/SPR	0.120" / 3.8mm *	.030" / 0.50mm
Aluminum Composite	SPR	Contact Norlok	

* Self Piercing Rivets (SPR) are sold by Norlok. SPR can join thicker material and produce stronger bonds compared to clinch